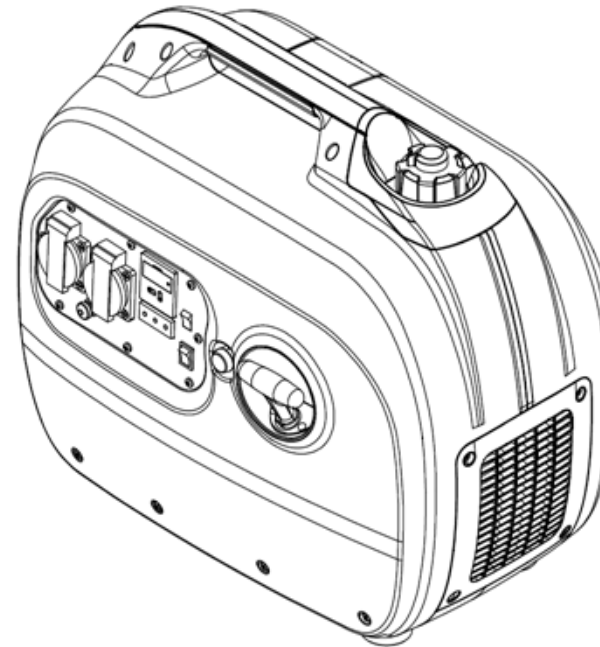


Spare Parts List

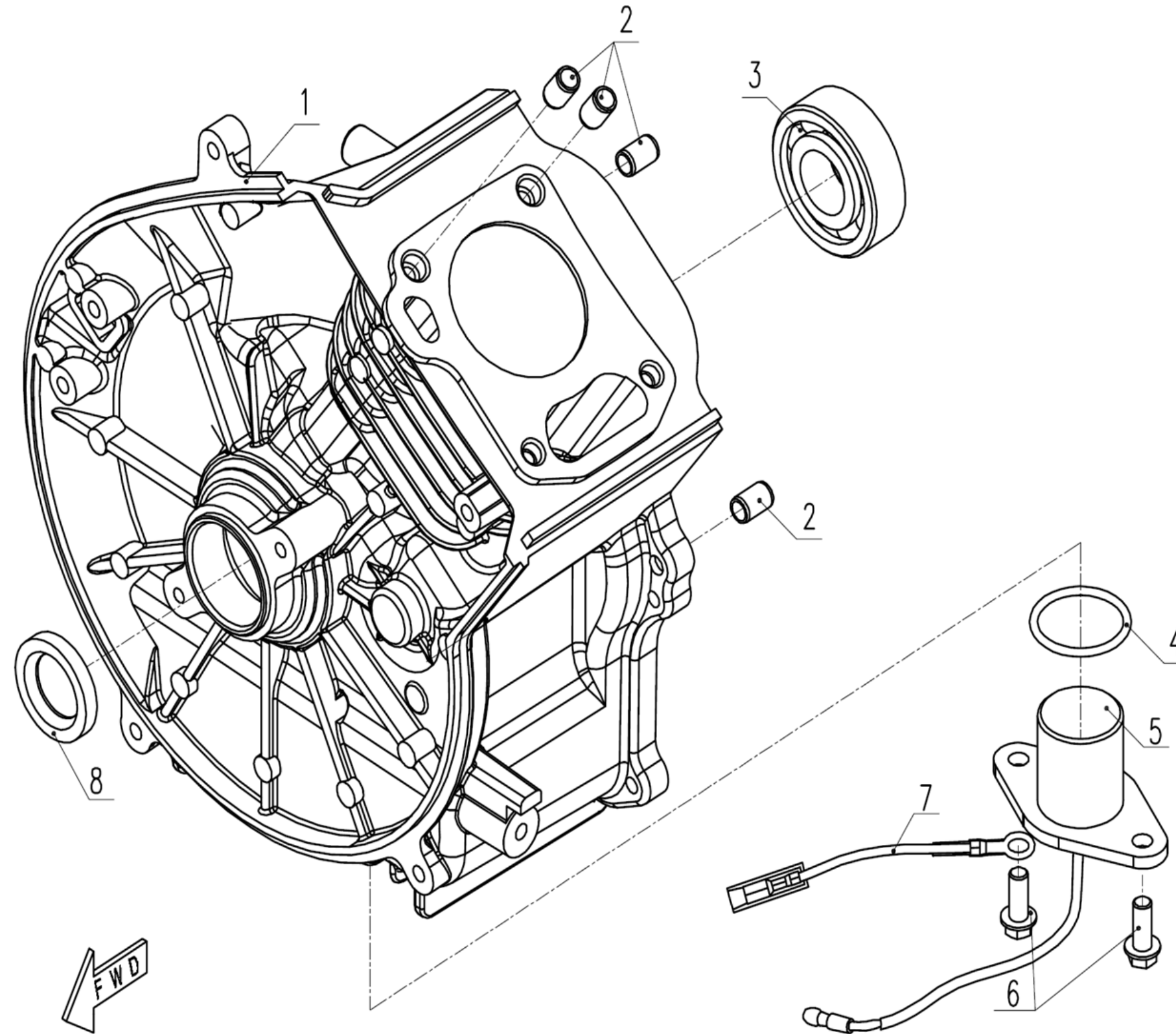


ELEKTRO maschinen[®]
...arbeitet mit Ihnen! ...works with you!

Model: GSEm 2000 SBi



01 Crankcase assy



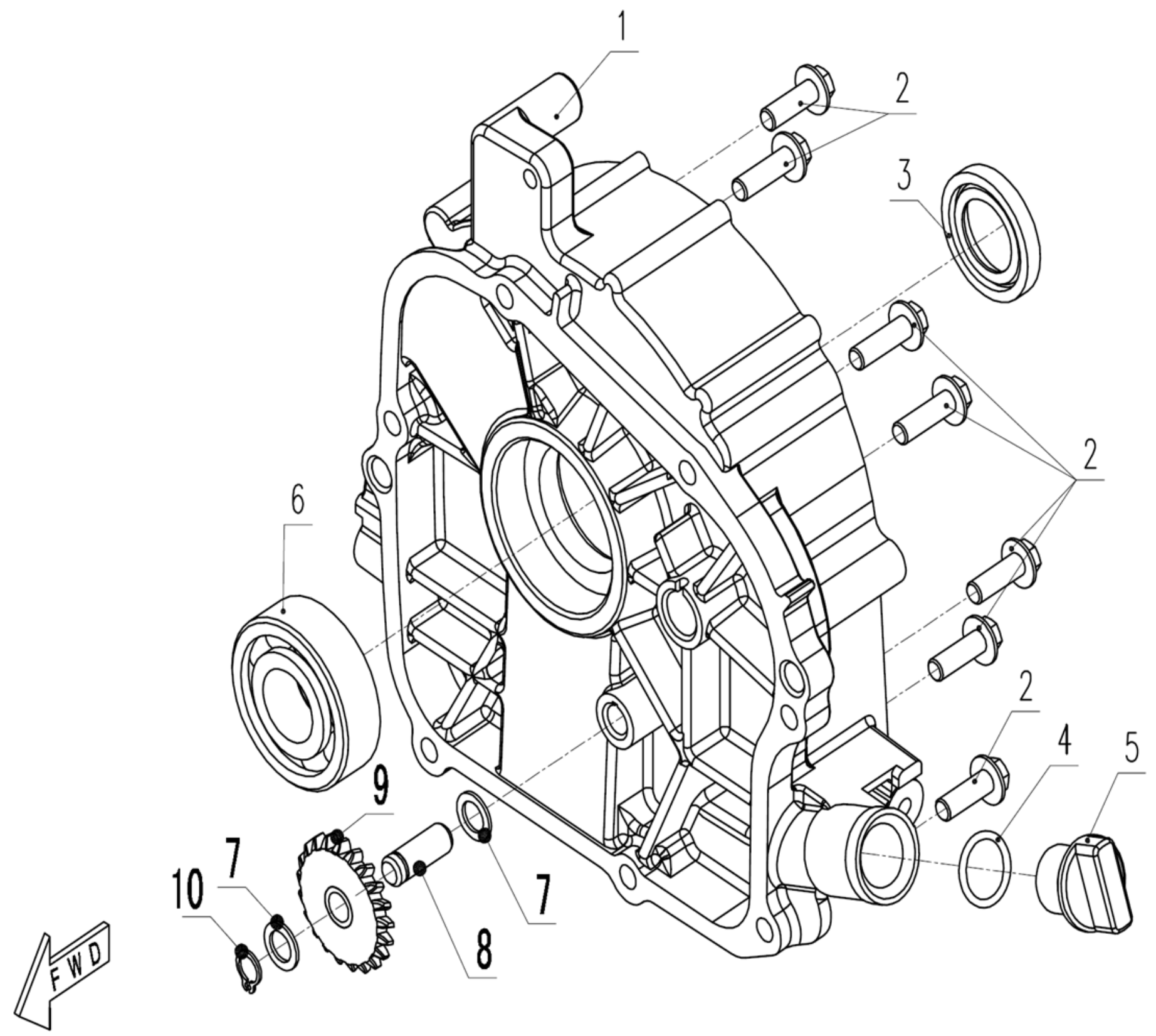


01 Crankcase assy

Crankcase assy

POS.	REM code	DESCRIPTION	QTY
			A
1	8811000000574	CRANKCASE SET	1
2	8811000000565	DOWEL PIN 8X12	4
3	8811000000503	ROLLING BEARING 6204C3	1
4	8811000000568	O-RING 28X2.5	1
5	8811000000570	OIL LEVEL SENSOR SET	1
6	8811000000515	FLANGE BOLT M6X12	2
7	8811000000552	ENGINE GROUNDED LINE	1
8	8811000000573	OIL SEAL 20X32X5	1

02 Crankcase cover assy

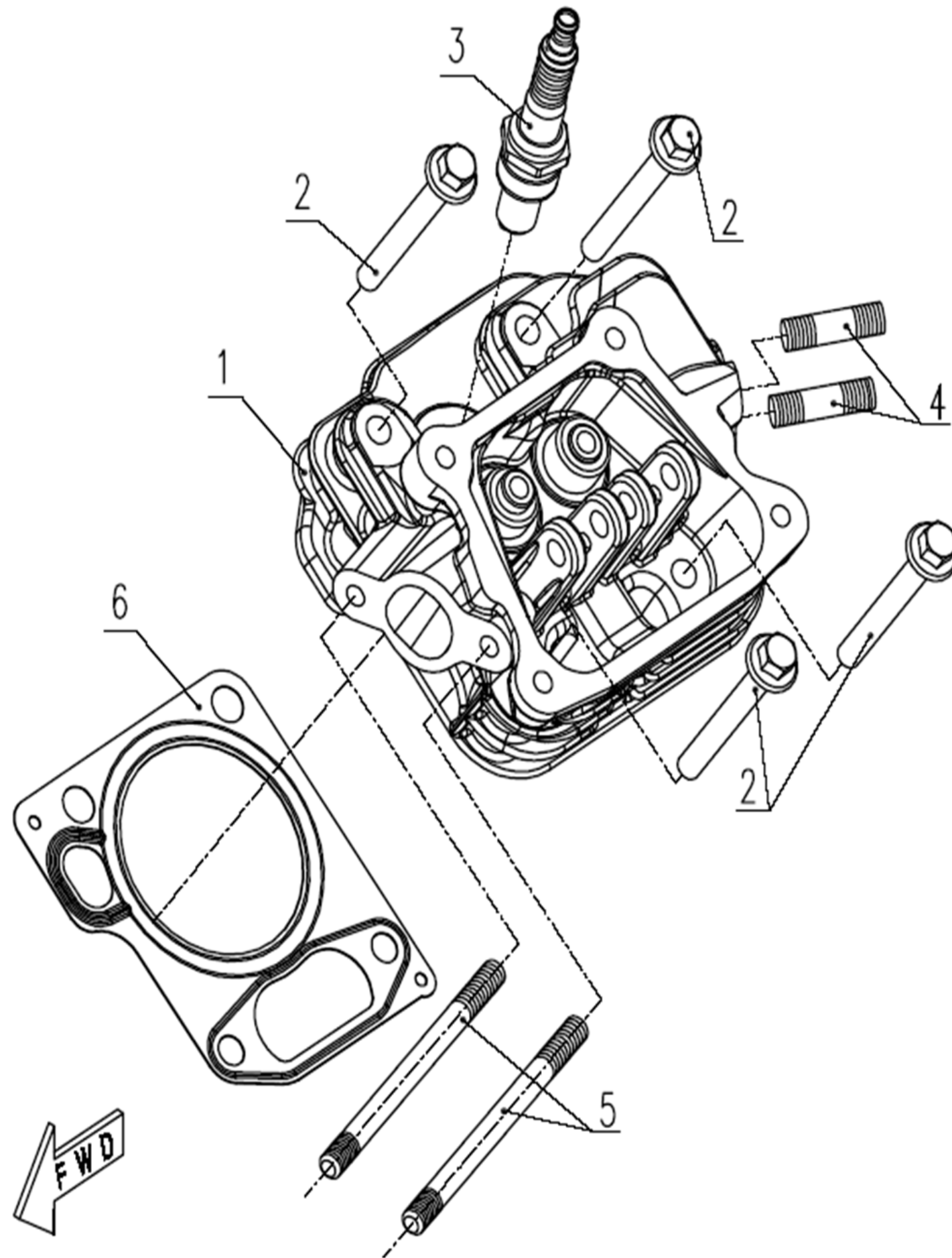


02 Crankcase cover assy

Crankcase cover assy

POS.	REM code	DESCRIPTION	QTY
			A
1	8811000000575	CRANKCASE COVER	1
2	8811000000505	FLANGE BOLT M6X12	7
3	8811000000569	OIL SEAL 20X35X5	1
4	8811000000567	OIL SEAL 15X2.5	1
5	8811000000566	OIL FILTER PLUG	1
6	8811000000504	ROLLING BEARING 6204C3	1
7	8811000000534	WASHER 8	2
8	8811000000576	PUDDLE OIL GEAR SHAFT	1
9	8811000000577	PUDDLE OIL GEAR SET	1
10	8811000000529	SHAFT CLIP 8	1

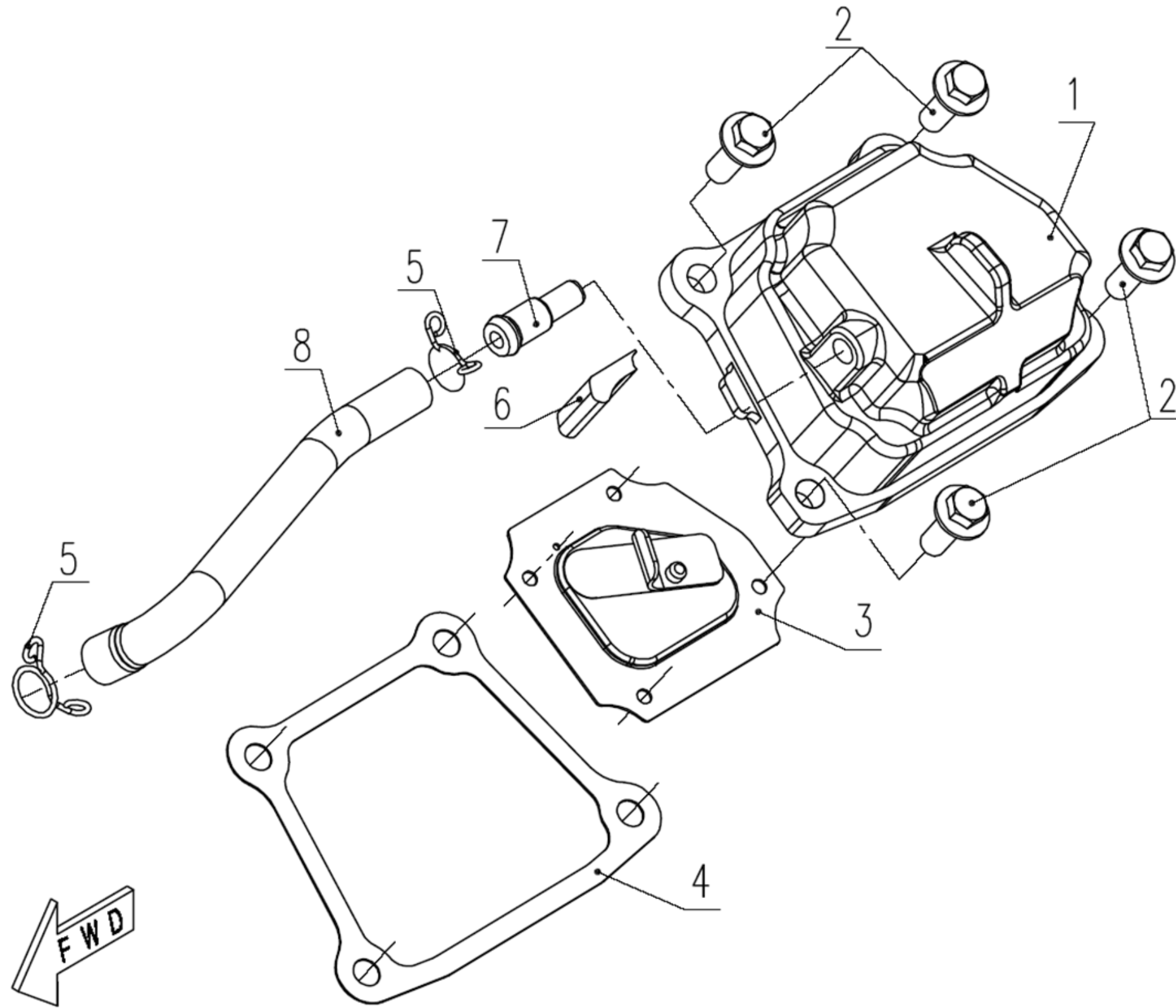
03 Cylinder head assy



Cylinder head assy

POS.	REM code	DESCRIPTION	QTY
			A
1	8811000000580	CYLINDER HEAD SET	1
2	8811000000517	FLANGE M6X50	4
3	8811000000564	SPARK PLUG	1
4	8811000000563	STUD BOLT, EXHAUST PIPE	2
5	8811000000578	STUD BOLT, CARBURETOR	2
6	8811000000579	GASKET, CYLINDER HEAD	1

04 Cylinder head cover assy

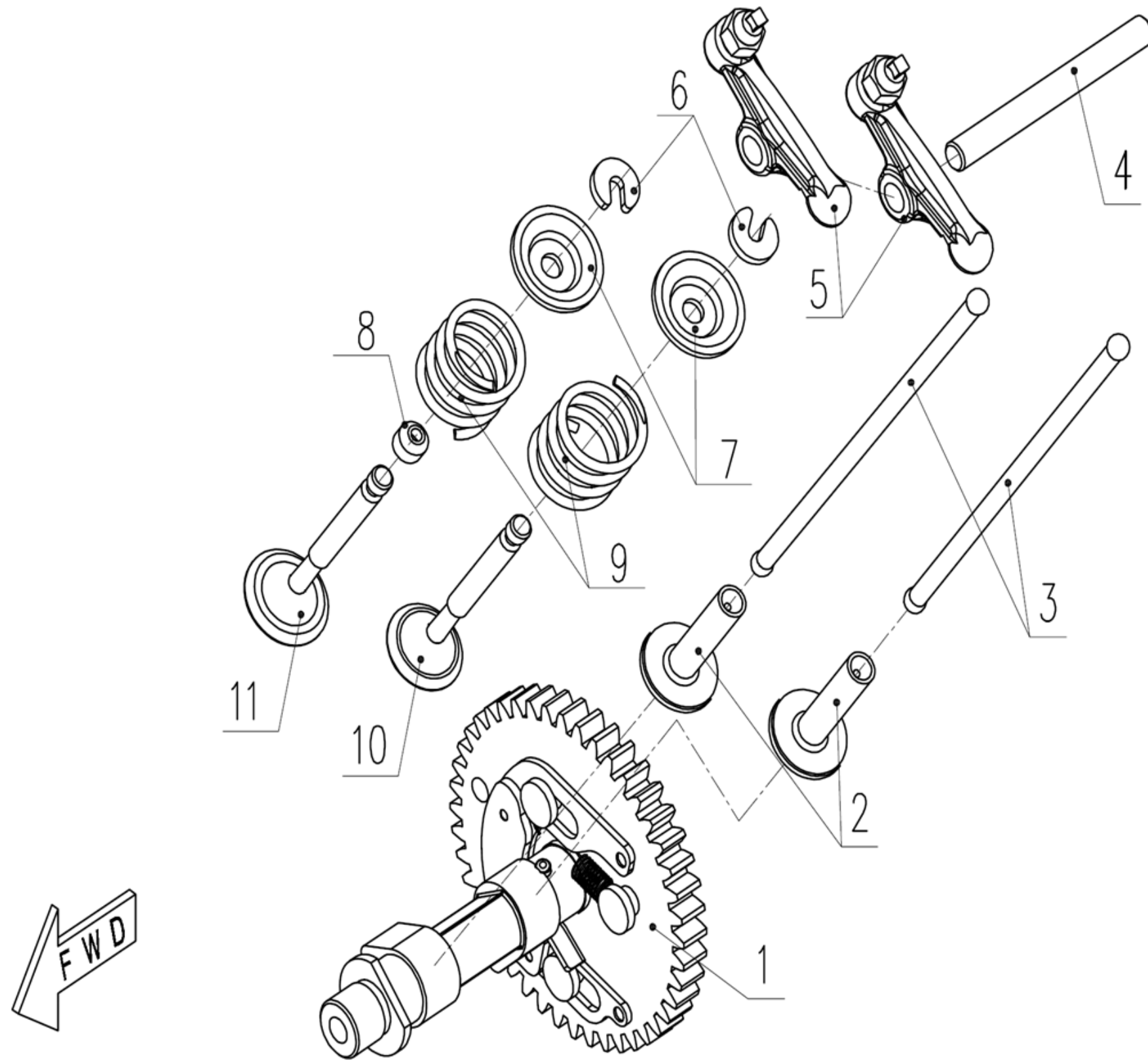




Cylinder head cover assy

POS.	REM code	DESCRIPTION	QTY
			A
1	8811000000584	CYLINDER HEAD COVER	1
2	8811000000516	FLANGE BOLT M6X16	4
3	8811000000571	REED VALVE SET	1
4	8811000000582	GASKET, CYLINDER HEAD COVER	1
5	8811000000669	CLIP Q671B10	2
6	8811000000581	DAMPING WIRE	1
7	8811000000562	JOINT, NEGATIVE PRESSURE PIPE	1
8	8811000000583	VENT PIPE	1

05 Valve system assy

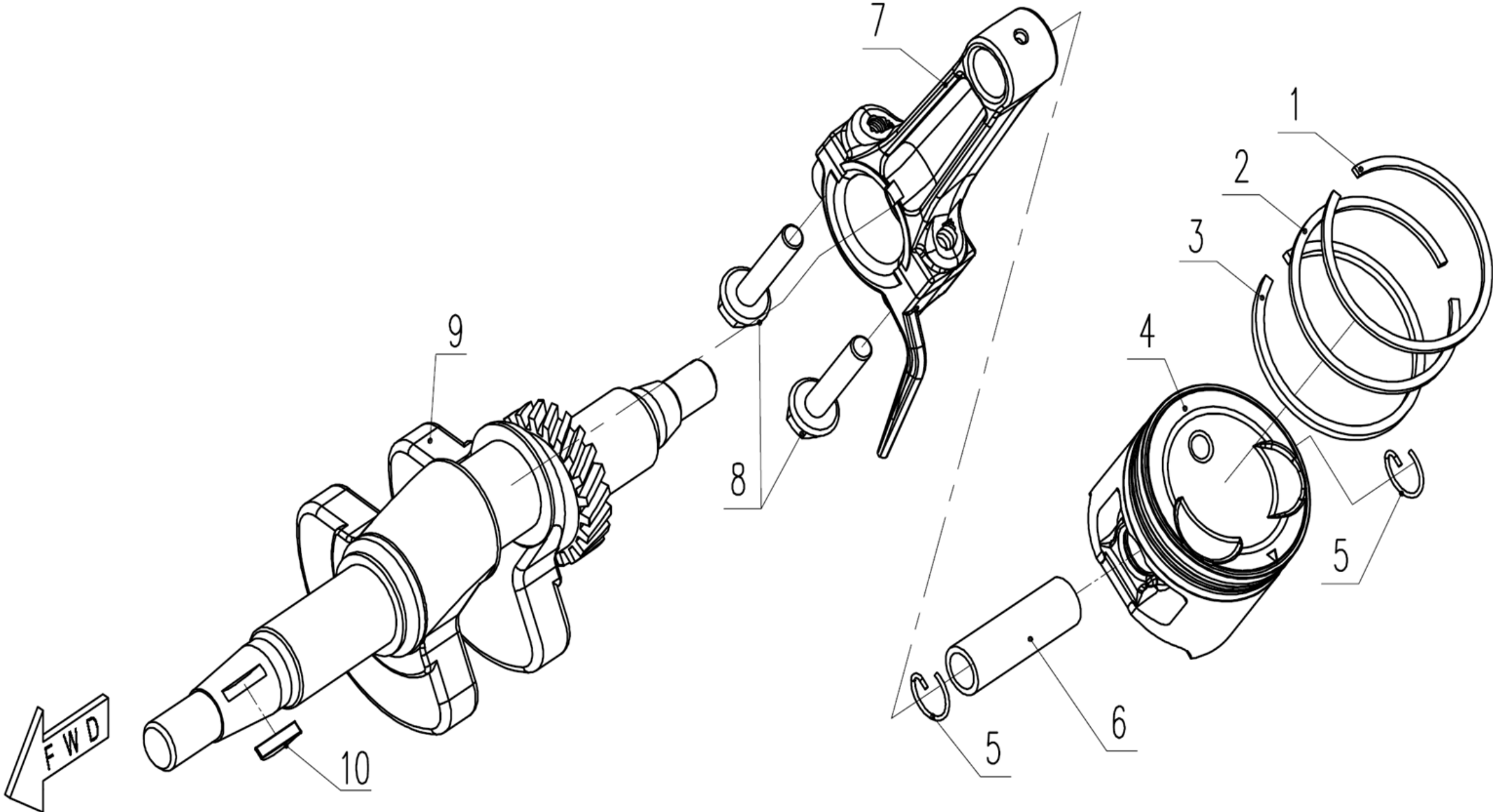




Valve system assy

POS.	REM code	DESCRIPTION	QTY
			A
1	8811000000594	CAMSHAFT SET	1
2	8811000000585	VALVE TAPPET	2
3	8811000000586	VALVE LIFTER	2
4	8811000000593	VALVE ROCKER ARM SHAFT	1
5	8811000000595	VALVE ROCKER ARM SET	2
6	8811000000592	VALVE KEY	2
7	8811000000591	VALVE SPRING RETAINER	2
8	8811000000589	VALVE OIL SEAL	1
9	8811000000590	VALVE SPRING	2
10	8811000000588	EXHAUST VALVE	1
11	8811000000587	INTAKE VALVE	1

06 Crankshaft-rod-piston assy

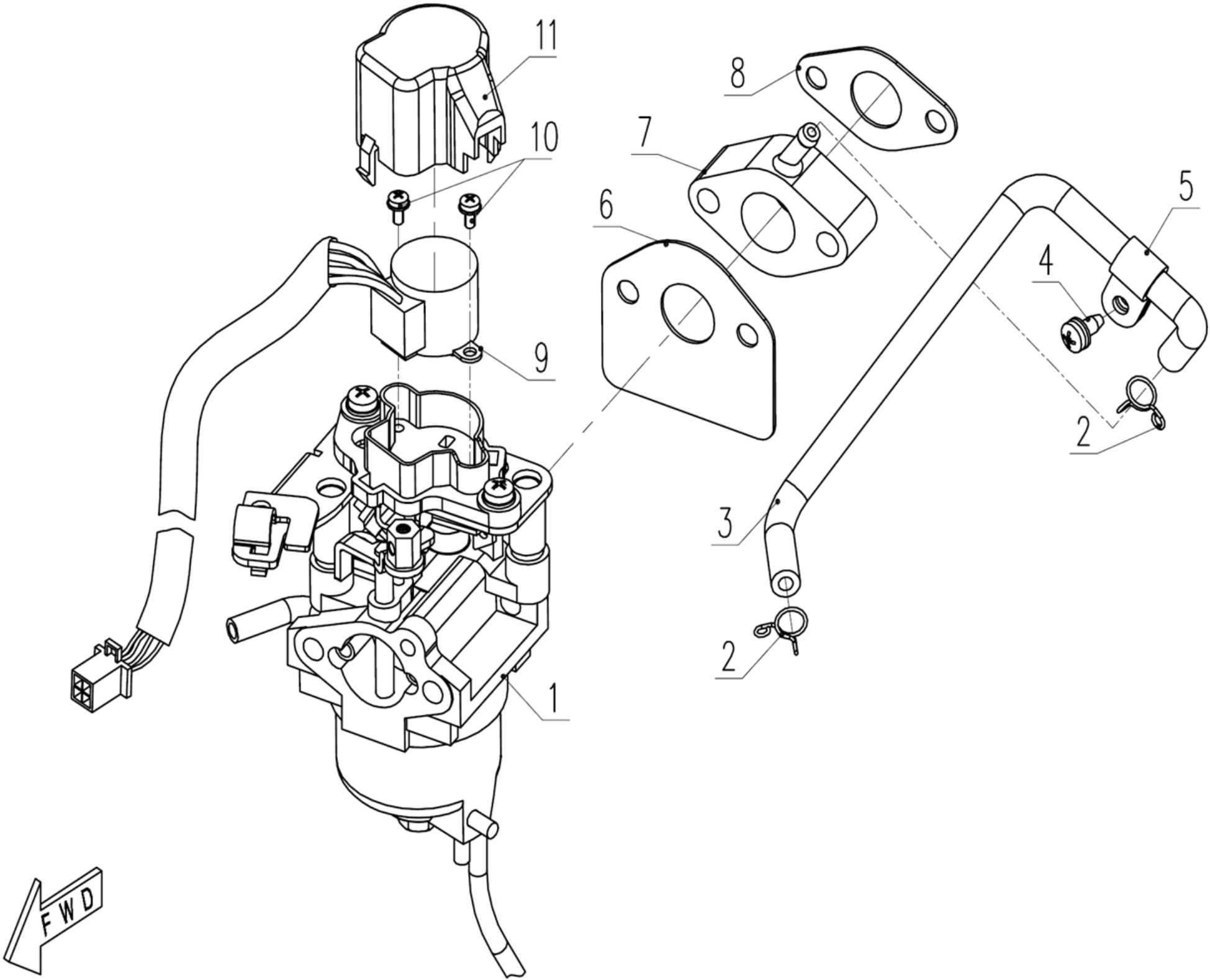




Crankshaft-rod-piston assy

POS.	REM code	DESCRIPTION	QTY
			A
1	8811000000599	1ST PISTON RING	1
2	8811000000600	2ND PISTON RING	1
3	8811000000602	OIL RING SET	1
4	8811000000596	PISTON	1
5	8811000000598	PISTON PIN CIRCLIP	2
6	8811000000597	PISTON PIN	1
7	8811000000603	ROD ASSY	1
8	8811000000513	FLANGE BOLT M6X30	2
9	8811000000601	CRANKSHAFT SET	1
10	8811000000572	WOODRUFF KEY	1

07 Carburetor assy

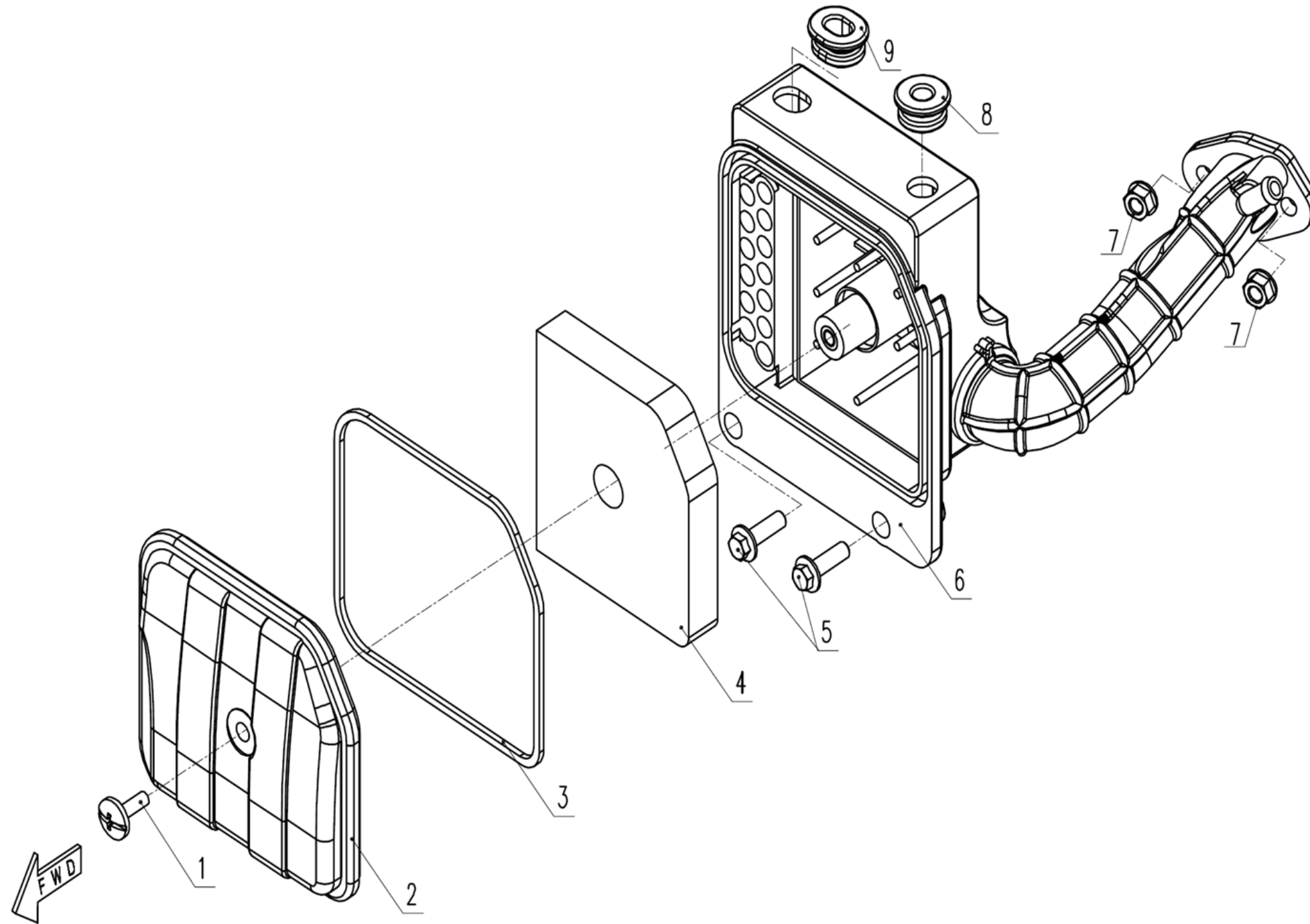




Carburetor assy

POS.	REM code	DESCRIPTION	QTY
			A
1	8811000000609	CARBURETOR SET	1
2	8811000000670	CLIP Q671B7.0	2
3	8811000000607	NEGATIVE PRESSURE PIPE	1
4	8811000000538	SCREW AND WASHER ST5X15	1
5	8811000000555	CLIP	1
6	8811000000604	FRONT GASKET, ADAPTER	1
7	8811000000605	ADAPTER	1
8	8811000000606	REAR GASKET, ADAPTER	1
9	8811000000610	STEPPER MOTOR SET	1
10	8811000000539	SCREW AND WASHER M3X6	2
11	8811000000608	OUTER COVER, STEPPER MOTOR	1

08 Air cleaner assy

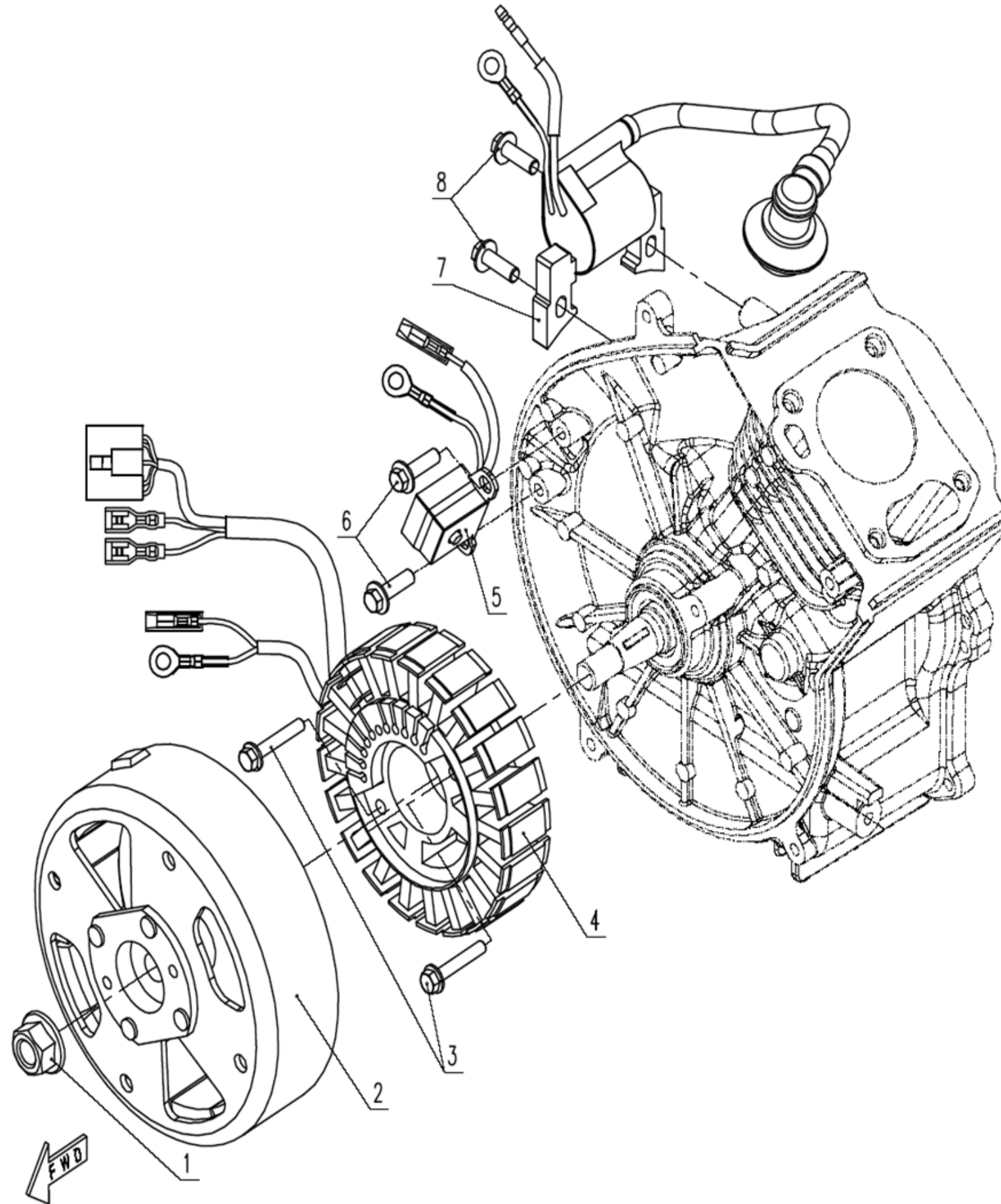




Air cleaner assy

POS.	REM code	DESCRIPTION	QTY
			A
1	8811000000525	SCREW M6X20	1
2	8811000000615	AIR CLEANER COVER	1
3	8811000000612	SEAL STRIP, AIR CLEANER	1
4	8811000000611	SPONGE ELEMENT	1
5	8811000000512	FLANGE BOLT M6X12	2
6	8811000000616	AIR CLEANER SET	1
7	8811000000521	FLANGE NUT M6	2
8	8811000000614	FUEL TANK CUSHION 2	1
9	8811000000613	FUEL TANK CUSHION 1	1

09 Electrical generating assy

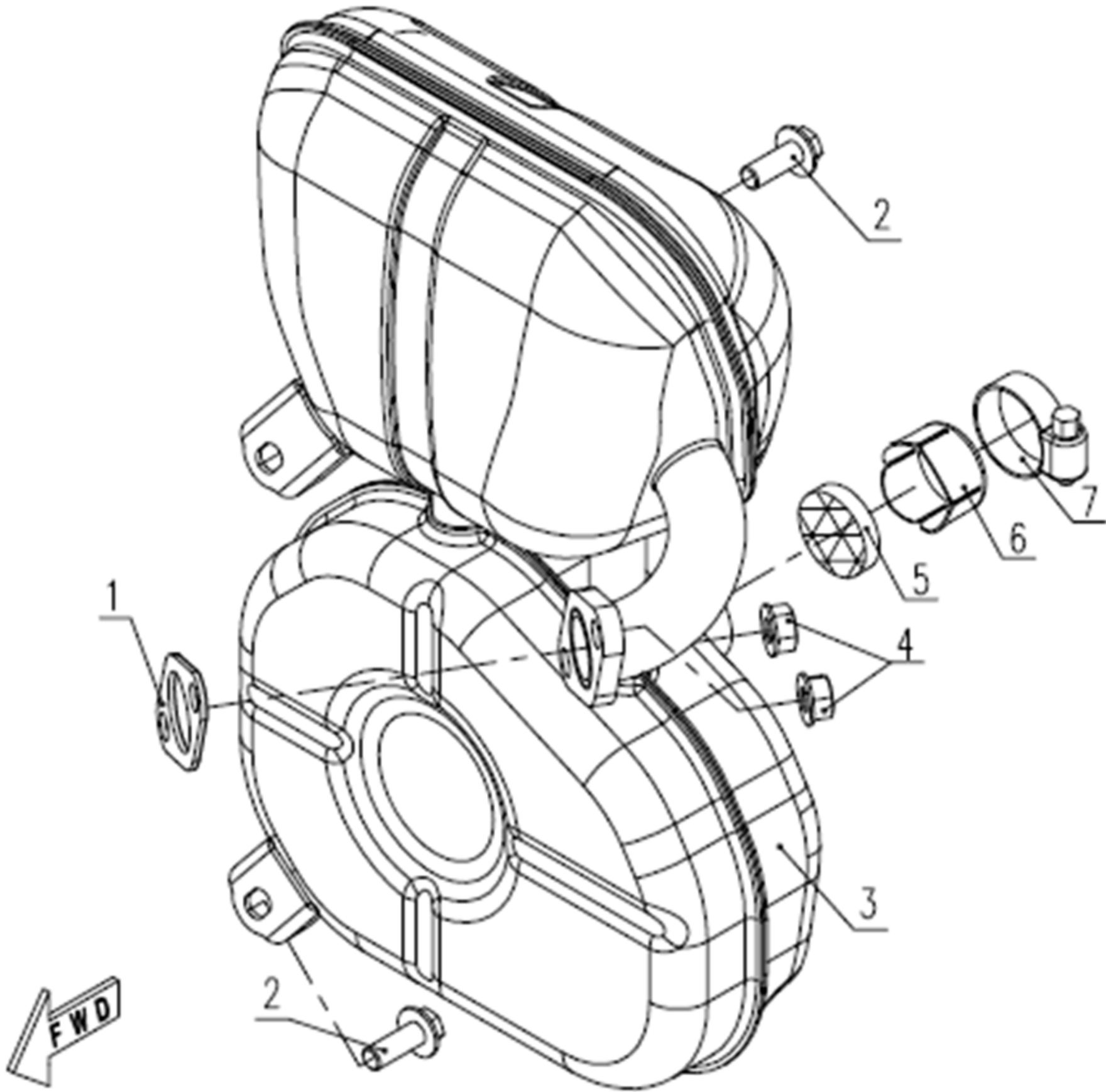




Electrical generating assy

POS.	REM code	DESCRIPTION	QTY
			A
1	8811000000524	FLANGE NUT M12X12.5	1
2	8811000000617	ROTOR SET	1
3	8811000000507	FLANGE BOLT M5X30	2
4	8811000000618	230V/50HZ STATOR SET	1
5	8811000000619	PICKUP COIL ASSY	1
6	8811000000506	FLANGE BOLT M5X16	2
7	8811000000620	IGNITION COIL SET	1
8	8811000000509	FLANGE BOLT M6X18	2

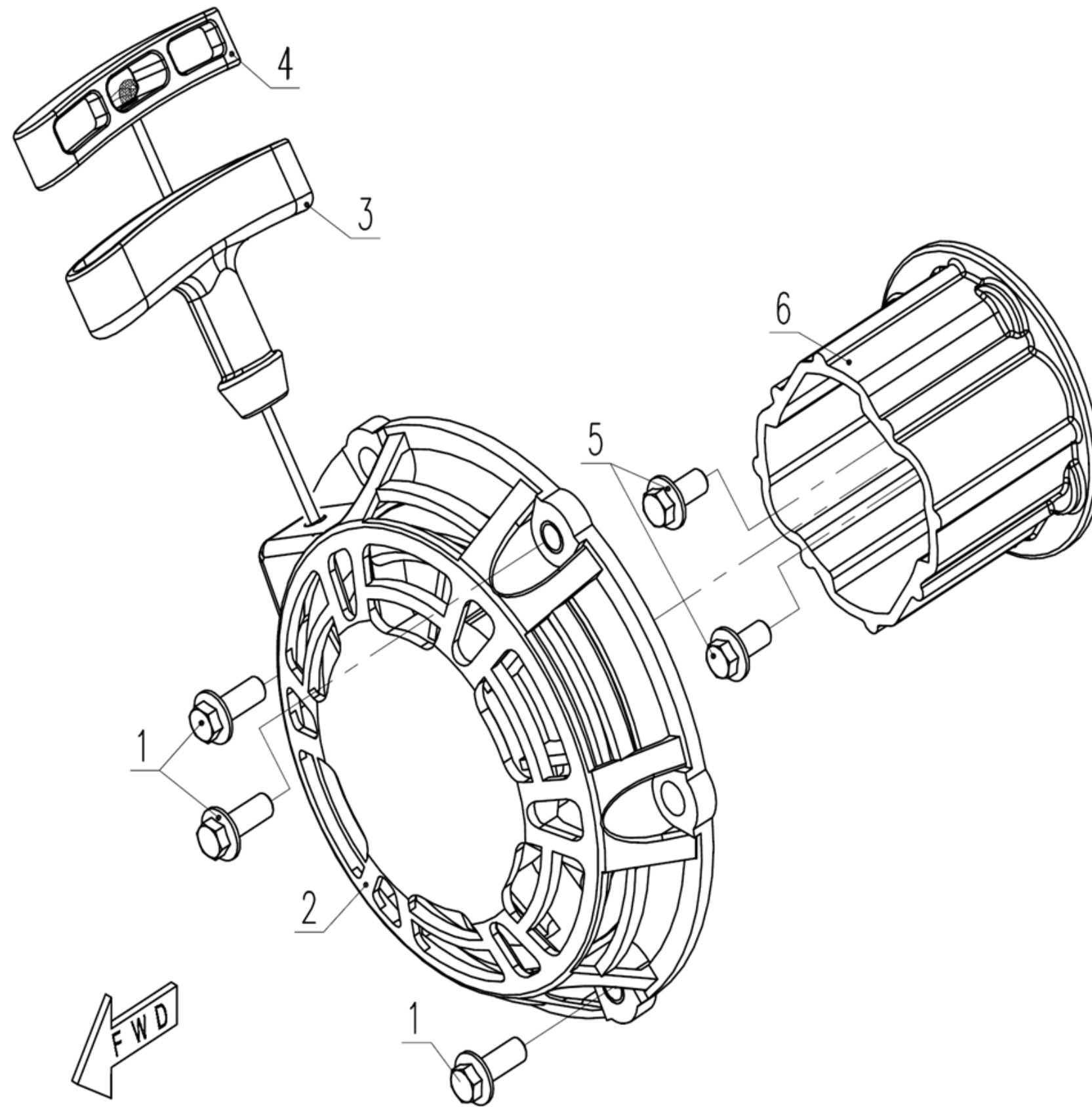
10 Exhaust system assy



Exhaust system assy

POS.	REM code	DESCRIPTION	QTY
			A
1	8811000000541	EXHAUST PIPE GASKET	1
2	8811000000508	FLANGE BOLT M6X12	2
3	8811000000621	MIFFLER ASSY.	1
4	8811000000521	NUT M6	2
5	8811000000622	FLAME RETARDANT ELEMENT	1
6	8811000000623	LOCK CAP, FLAME RETARDANT ELEMENT	1
7	8811000000540	HOSE CLAMP 32	1

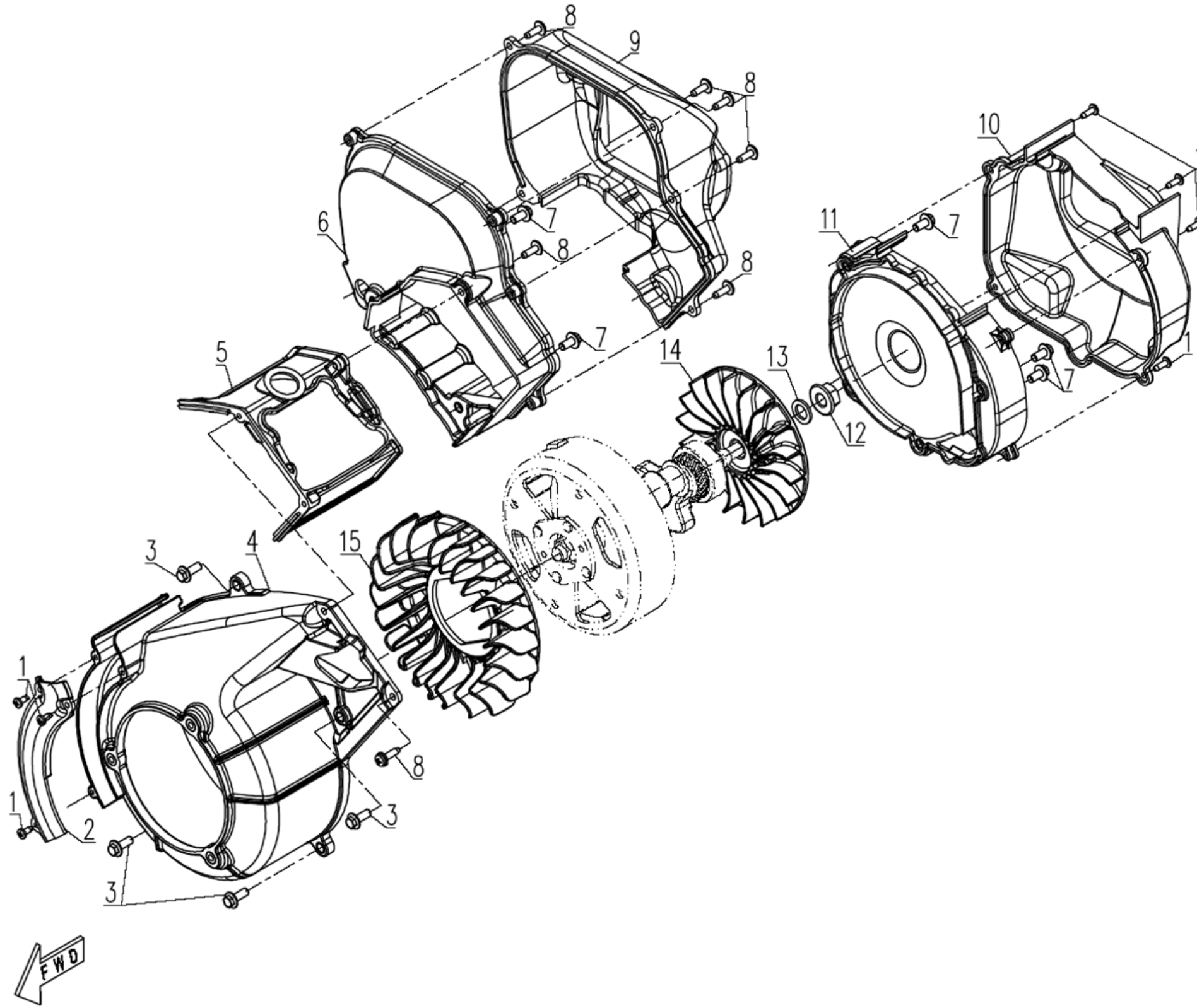
11 Starting system assy



Starting system assy

POS.	REM code	DESCRIPTION	QTY
			A
1	8811000000516	FLANGE BOLT M6X16	3
2	8811000000625	RECOIL STARTER DISC SET	1
3	8811000000626	RECOIL STARTER HANDLEBAR	1
4	8811000000627	RECOIL STARTER HANDLEBAR COVER	1
5	8811000000515	FLANGE BOLT M6X12	2
6	8811000000624	RECOIL STARTER DRIVING DISC	1

12 Cooling system assy



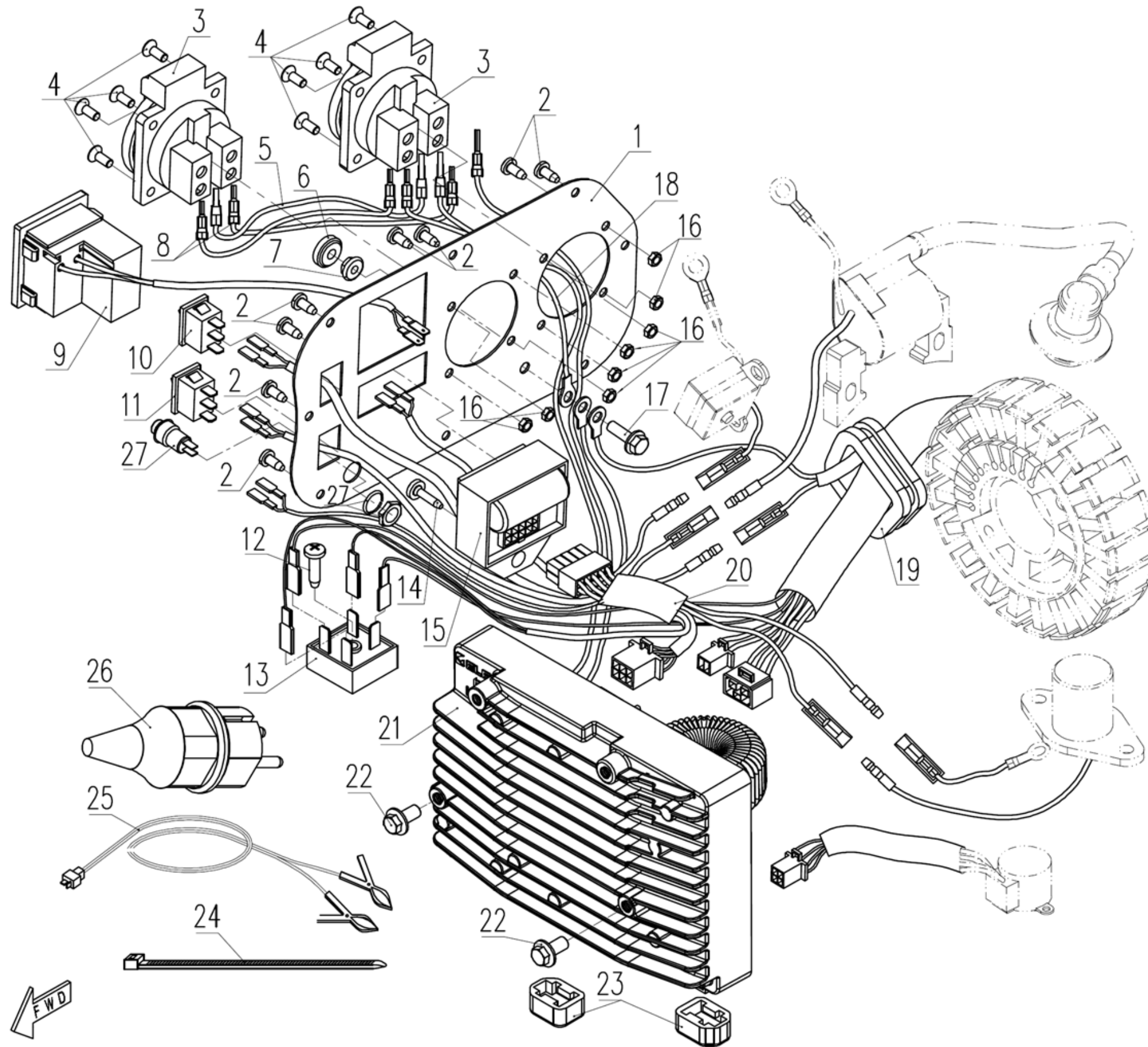


12 Cooling system assy

Cooling system assy

POS.	REM code	DESCRIPTION	QTY
			A
1	8811000000537	SCREW AND WASHER ST4.2X12	7
2	8811000000630	PRESSING LINE PLATE	2
3	8811000000511	FLANGE BOLT M6X16	4
4	8811000000631	FRONT AIR INLET COVER SET	1
5	8811000000629	WIND SCOOPER	1
6	8811000000632	FRONT COVER, UPPER MUFFLER	1
7	8811000000510	FLANGE BOLT M6X12	5
8	8811000000538	SCREW AND WASHER ST5X15	7
9	8811000000633	REAR COVER, LOWER MUFFLER	1
10	8811000000635	REAR COVER, REAR FAN	1
11	8811000000634	MIDDLE COVER, REAR FAN	1
12	8811000000523	FLANGE NUT M10X1.25	1
13	8811000000533	WASHER 10.5X20X2	1
14	8811000000542	REAR FAN	1
15	8811000000628	FRONT FAN	1

13 Control system assy Europe

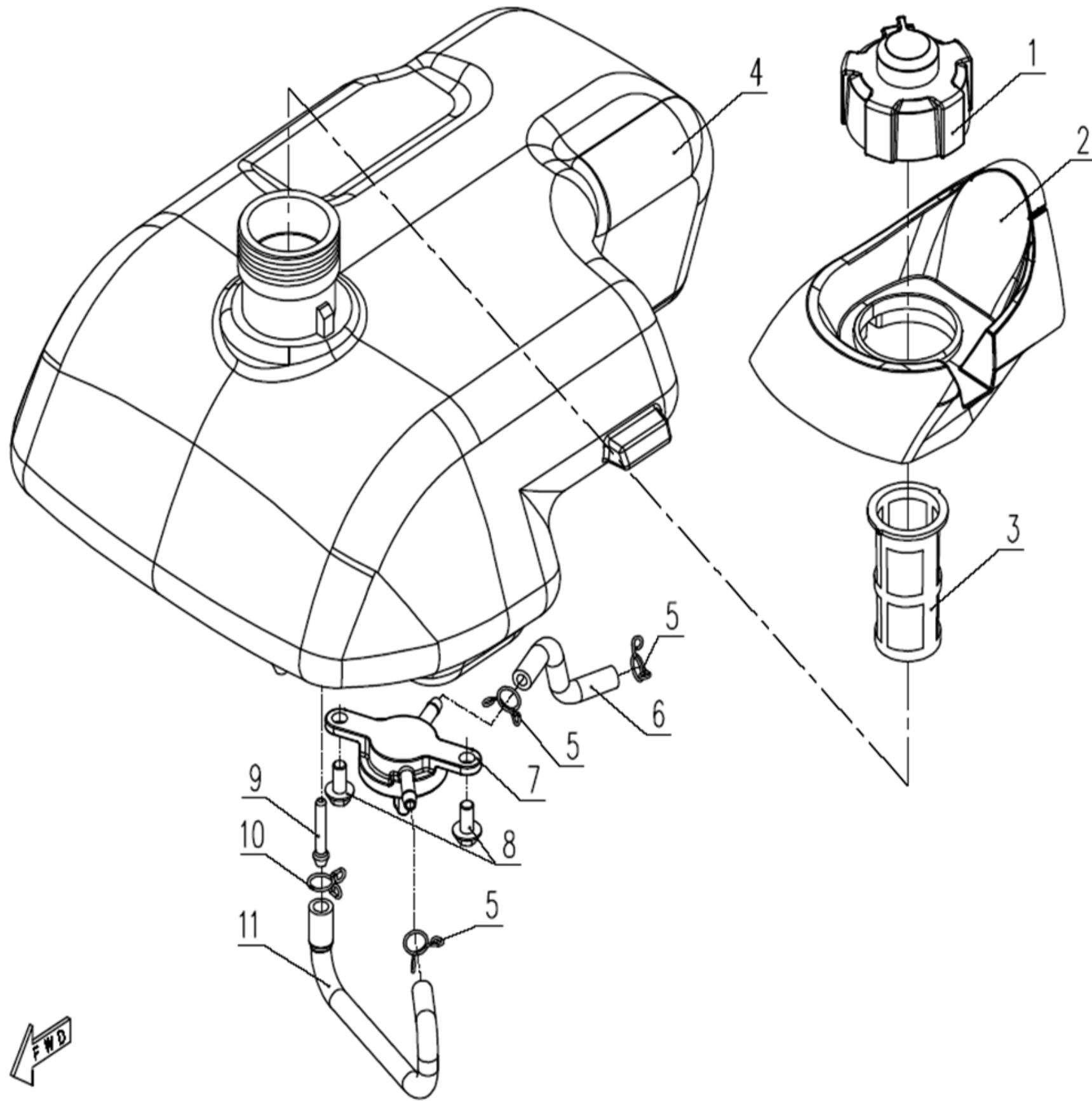




Control system assy Europe

POS.	REM code	DESCRIPTION	QTY
			A
1	8811000000637	230V EUROPE CONTROL PANEL (EN)	1
2	8811000000527	SCREW ST4.2X9.5	8
3	8811000000547	EUROPE AC SOCKET SET	2
4	8811000000526	SCREW M4X14	8
5	8811000000639	AC SOCKET GROUNDED CONNECTING LINE	1
6	8811000000544	KNIRLED NUT M5	1
7	8811000000522	FLANGE NUT M5	1
8	8811000000640	AC SOCKET CONNECTING LINE	2
9	8811000000638	DC SOCKET SET	1
10	8811000000545	SMART THROTTLE SWITCH SET	1
11	8811000000641	MAIN SWITCH	1
12	8811000000528	SCREW ST5X20	1
13	8811000000551	BRIDGE RECTIFIER SET	1
14	8811000000538	SCREW AND WASHER ST5X15	1
15	8811000000642	INDICATOR LIGHT TCI SET	1
16	8811000000520	HEXAGON NUT M4	8
17	8811000000514	BOLT M5X16	1
18	8811000000546	AC SOCKET GROUNDED LINE SET	1
19	8811000000636	CABLE PROTECTIVE HOSE	1
20	8811000000644	CABLE ASSY.	1
21	8811000000643	230V INVERTER SET	1
22	8811000000550	BOLT M6X12	2
23	8811000000549	SHOCK ABSORBING RUBBER BLOCK, INVERTER	2
24	8811000000543	NYLON STRIP	2
25	8811000000553	T-TYPE CHARGING CABLE SET	1
26	8811000000554	EUROPE AC SOCKET SET	1
27	8811000000548	RESET SWITCH SET	1

14 Fuel system assy



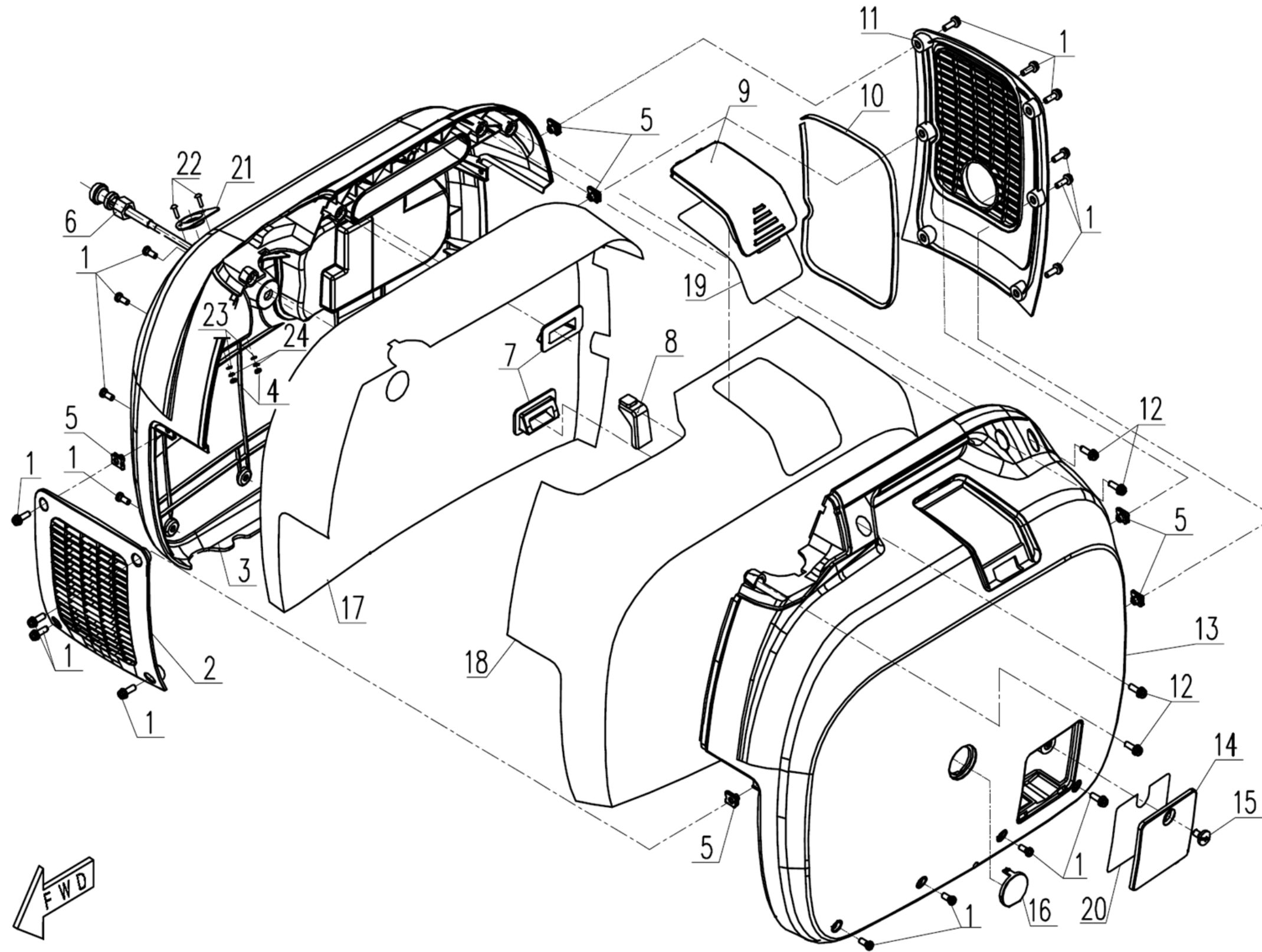


14 Fuel system assy

Fuel system assy

POS.	REM code	DESCRIPTION	QTY
			A
1	8811000000558	FUEL TANK CAP SET	1
2	8811000000647	GASKET, FUEL TANK PORT	1
3	8811000000556	FUEL FILLING STRAINER ASSY.	1
4	8811000000648	FUEL TANK SET	1
5	8811000000671	CLIP Q671B8.5	3
6	8811000000646	FUEL INTAKE PIPE, CARBURETOR	1
7	8811000000649	NEGATIVE PRESSURE SWITCH SET	1
8	8811000000510	FLANGE BOLT M6X12	2
9	8811000000557	FUEL OUTLET STRANER ASSY.	1
10	8811000000672	CLIP Q671B10	1
11	8811000000645	OUTLET PIPE, FUEL TANK	1

15 Outer cover assy



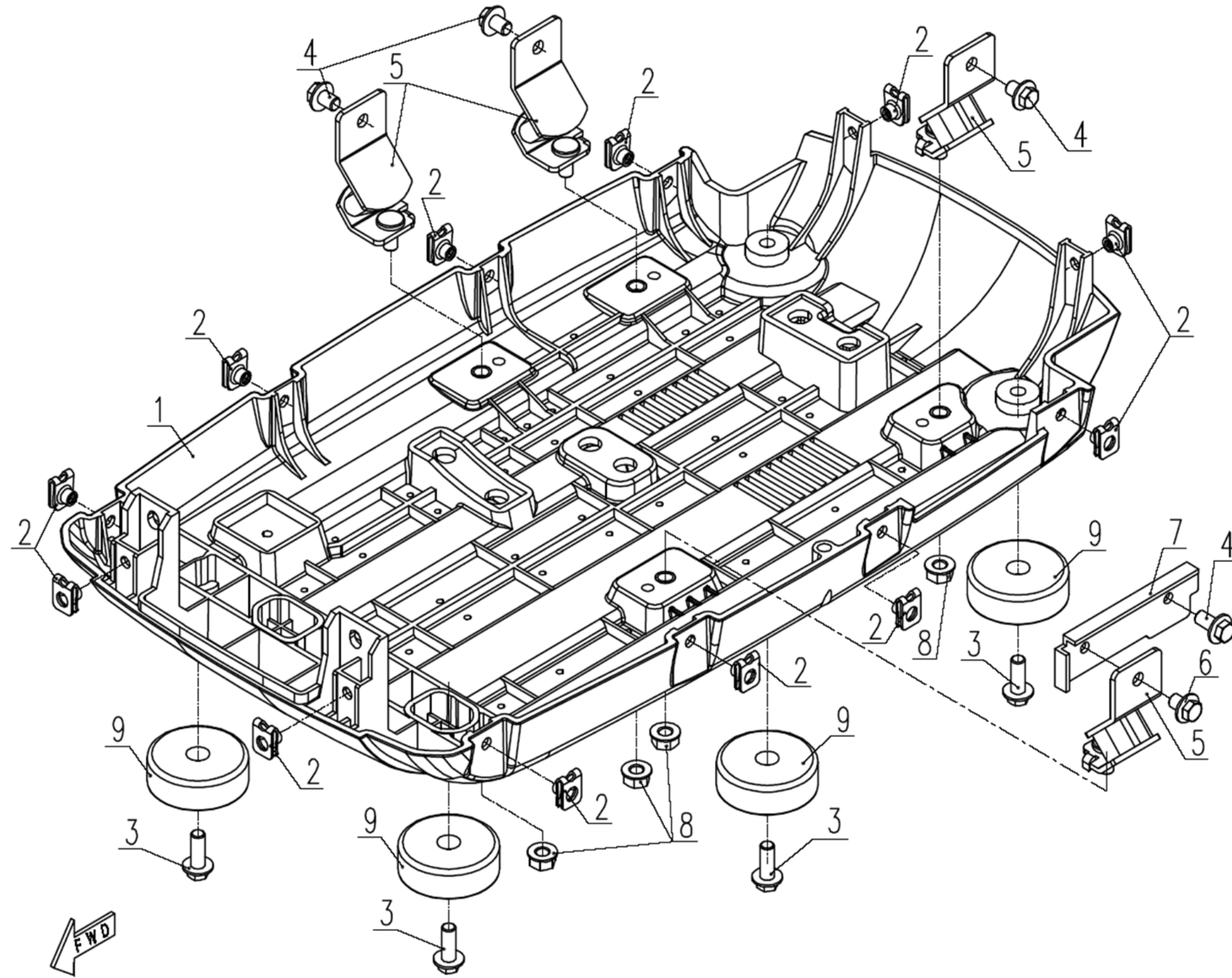


15 Outer cover assy

Outer cover assy

POS.	REM code	DESCRIPTION	QTY
			A
1	8811000000530	SCREW M5X12	18
2	8811000000663	AIR INTAKE COVER	1
3	8811000000660	RIGHT OUTER COVER	1
4	8811000000519	HEXAGON NUT M3	2
5	8811000000559	CLIP NUT M5	6
6	8811000000659	CHOKE CABLE	1
7	8811000000652	MOUNTING ABSORB CUSION 3, FUEL TANK	2
8	8811000000653	CYLINDER HEAD COVER CUSION	1
9	8811000000655	SPARK PLUG COVER	1
10	8811000000561	SEAL RING	1
11	8811000000664	MUFFLER OUTER COVER	1
12	8811000000531	SCREW M5X15	4
13	8811000000654	LEFT OUTER COVER	1
14	8811000000661	OIL FILLING COVER	1
15	8811000000560	BOLT M6X13	1
16	8811000000650	DRAINING FUEL COVER, CARBURETOR	1
17	8811000000658	SOUND-ABSORBING SPONGE (RIGHT)	1
18	8811000000651	SOUND-ABSORBING SPONGE (LEFT)	1
19	8811000000656	SOUND-ABSORBING SPONGE (SPARK PLUG COVER)	1
20	8811000000662	SOUND-ABSORBING SPONGE (OIL FILLING COVER)	1
21	8811000000657		1
22	8811000000536	SCREW M3X10	2
23	8811000000535	WASHER 4	2
24	8811000000532		2

16 Base plate assy





16 Base plate assy

Base plate assy

POS.	REM code	DESCRIPTION	QTY
			A
1	8811000000667	BASE PLATE	1
2	8811000000559	CLIP NUT M5	12
3	8811000000516	FLANGE BOLT M6X16	4
4	8811000000515	BOLT M6X12	4
5	8811000000665	ENGINE SUPPORT SEAT	4
6	8811000000518	FLANGE BOLT M6X8	1
7	8811000000666	CONNECTING PLATE (LH), ENGINE SUPPORT SEAT	1
8	8811000000521	FLANGE NUT M6	4
9	8811000000668	GENERATOR SUPPORT SEAT	4